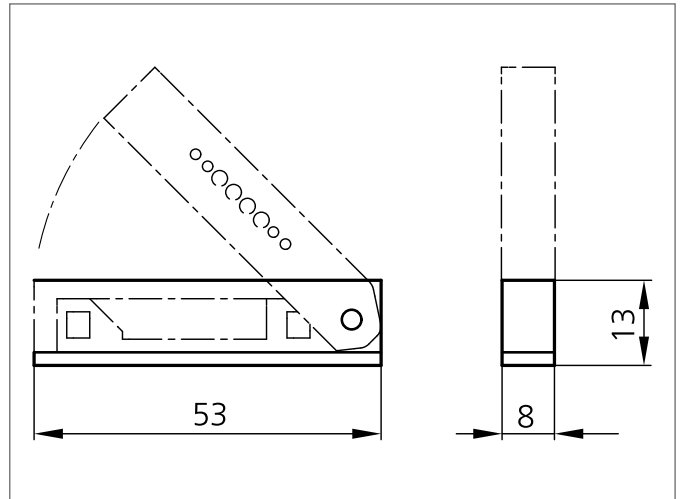


**SM 1**  
**Cutting tool**



**TECHNICAL INFORMATION (typ.)**

For

**+20°C, 24V DC**

Plastic fiber optics

Light blue horizontal lines for technical specifications.